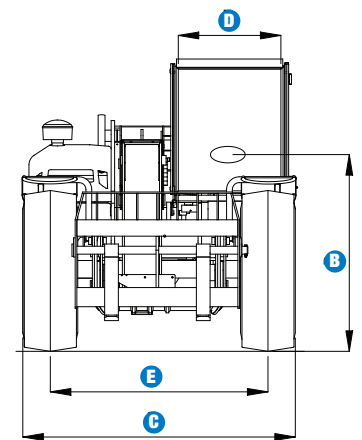
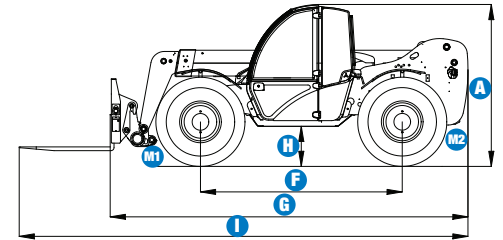


Specifications

MODEL		GTH™-3007	
MEASUREMENTS		Metric	Imperial
Lifting height maximum	6.89 m	22 ft 7 in	
Lifting capacity maximum	3,000 kg	6,614 lbs	
Lift capacity at maximum height	2,500 kg	5,511 lbs	
Lift capacity at maximum reach	1,250 kg	2,756 lbs	
Forward reach maximum	3.99 m	13 ft 1 in	
Reach at maximum height	76 cm	2 ft 6 in	
A Height	2.07 m	6 ft 9 in	
B Height at steering wheel	1.35 m	4 ft 5 in	
C Width	1.99 m	6 ft 6 in	
D Cab width	86 cm	2 ft 10 in	
E Track	1.59 m	5 ft 3 in	
F Wheelbase	2.66 m	8 ft 9 in	
G Length at fork-holder plate	4.71 m	15 ft 5 in	
H Ground clearance	50 cm	1 ft 8 in	
I Overall length	5.91 m	19 ft 5 in	
M1 Obstruction angle	90°	90°	
M2 Departure angle	50°	50°	



PRODUCTIVITY		
Inside/outside turning radius	2.45 m/4.30 m	8 ft/14 ft
Break out force (with 800L shovel SAE J 732/80)	4,270 kg	9,414 lbs
Towing capacity at dynamometer*/**	5,200 kg/3,900 kg	11,464 lbs/8,598 lbs
Drive speed max.	32 km/h	20 mph
Fork-holder plate rotation	128°	128°
Floating forks	Length 1200 mm Section 100 x 50 mm	Length 3 ft 11 in Section 4 in x 2 in
Tyres (DIN 70361)	405/70-20" PR14 8 holes wheel disc	
Lifting/lowering speed**	9 sec./7 sec.	9 sec./7 sec.
Extension/retraction speed**	8 sec./5 sec.	8 sec./5 sec.

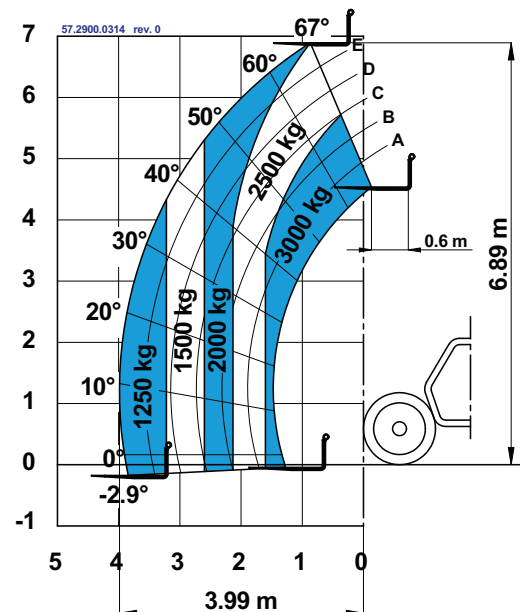
POWER		
Engine	Deutz TD2011 L04W 4-cylinder Turbo Diesel 91 hp (68 kW), Tier 3	
Tank capacities		
Fuel	90 L	20 gal
Engine oil	10 L	2 gal
Hydraulic oil	80 L	17.5 gal

SOUND LEVEL		
Sound pressure level (operator position)	82 dB (LpA)	82 dB (LpA)
Guaranteed sound power level	102 dB (LwA)	102 dB (LwA)

VIBRATION LEVEL		
Vibration level hand-arm system	<2.5 m/s ²	<8 ft 2 in/s ²
Vibration level whole body	0.44 m/s ²	1 ft 5 in/s ²

WEIGHT		
Weight***	5,900 kg	13,007 lbs

STANDARDS COMPLIANCE	
	EU Machinery Directive 2006/42/EC
	Operating cab conforms to ISO3471 (ROPS) and ISO3449 (FOPS)
	Low emission engine conforms to EU Directive 97/68/EC stage III
	2000/14/EC EU Directive (noise)



Lift capacity chart

EN1459, Annex B

*Max. load, **Without load
*** Weight will vary depending on options and/or country standards